

Сталь 20XH
ГОСТ 4543-71

HRC 58..60 h0.6..0.8

Заказ №114 СК6П1300.072.407 Шпунфн

PROPRIETARY AND RESERVED

СОБСТВЕННОСТЬ ПРОИЗВОДИТЕЛЯ

$\phi 55 \times 60$

102, 302, 15106, 302, 105, 15105, 302, 106

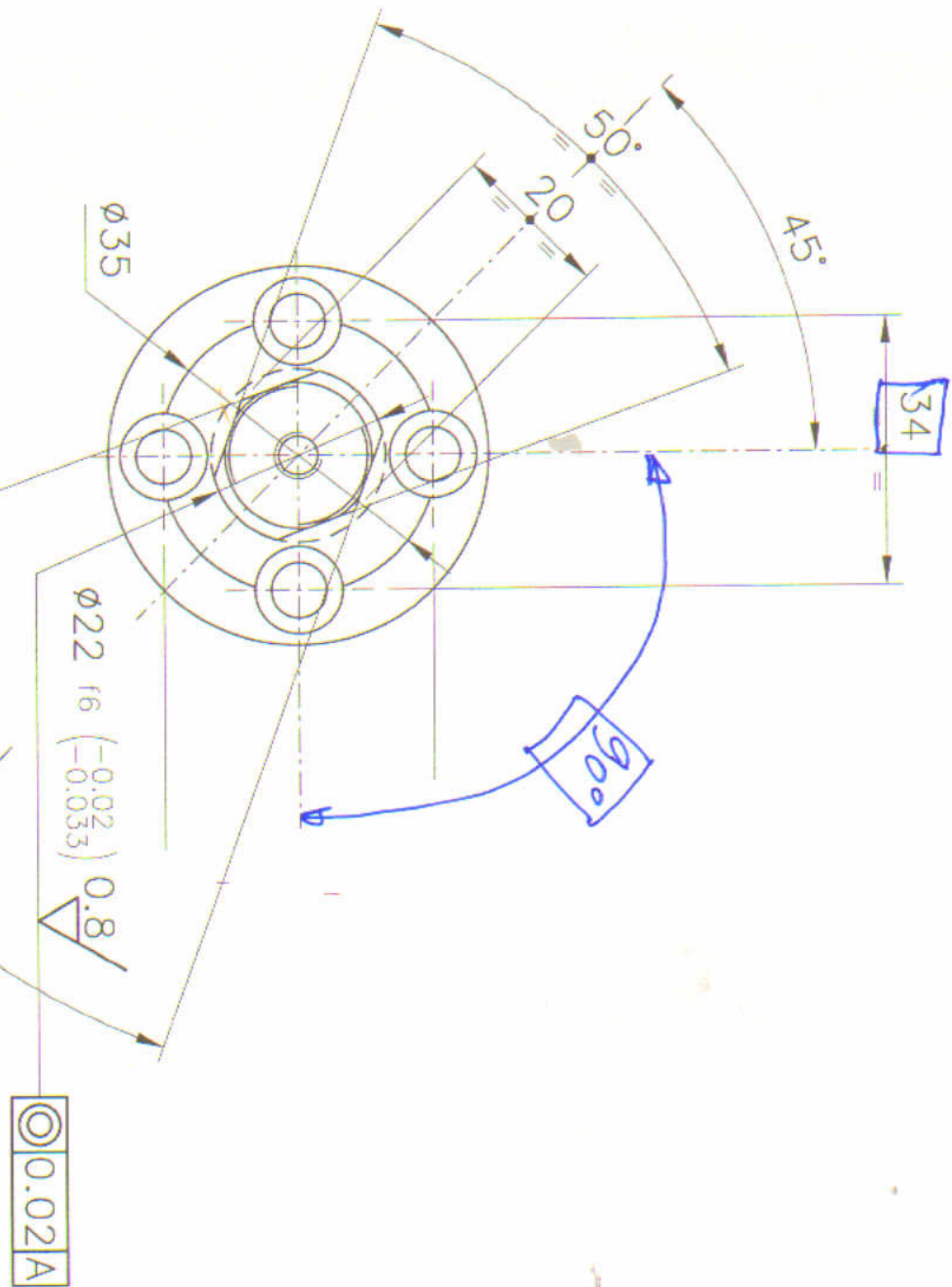
ФАСКА 0.5x45°

ПРИМЕЧАНИЕ: СОБЛЮДАТЬ ЦИКЛЫ

N.B.: RISPETTARE LE FASI

Sm.0.5x45°

COMMESSA N°	
Date:	Firma:



32/ (V)

Spaccati
07.06.18

REV. A	21-11-11	ANGELI	MODIFICATO MATERIALE E TRATTAMENTO	OGGETTO DELLA MODIFICA / SUBJECT OF MODIFICATION																
18NiCrMo5 UNI EN 10084-UNI8788																				
MATERIAL		18NiCrMo5 UNI EN 10084-UNI8788																		
TREATMENT		UT.S																		
DESIGNER		P. MACCARINELLI																		
DATE		26.03.08																		
SCALE		1:1																		
<table border="1"> <tr> <td>PERNO</td> <td>ШТИФТ</td> <td>PERNO</td> <td>ШТИФТ</td> </tr> <tr> <td>DENOMINAZIONE</td> <td>DETAIL</td> <td>DENOMINAZIONE</td> <td>DETAIL</td> </tr> <tr> <td>REV. -A</td> <td>1/1</td> <td>REV. -A</td> <td>1/1</td> </tr> <tr> <td>DRAWING NO. F55810220</td> <td></td> <td>DRAWING NO. F55810220</td> <td></td> </tr> </table>					PERNO	ШТИФТ	PERNO	ШТИФТ	DENOMINAZIONE	DETAIL	DENOMINAZIONE	DETAIL	REV. -A	1/1	REV. -A	1/1	DRAWING NO. F55810220		DRAWING NO. F55810220	
PERNO	ШТИФТ	PERNO	ШТИФТ																	
DENOMINAZIONE	DETAIL	DENOMINAZIONE	DETAIL																	
REV. -A	1/1	REV. -A	1/1																	
DRAWING NO. F55810220		DRAWING NO. F55810220																		